

WTM1040UHP1-C»Q ÁÒ </ñAô =

6Q Á Ñ 12.0MPa

¶

e

ï

~

>6Û"17'7Ò </ñAô = ?L† ç .

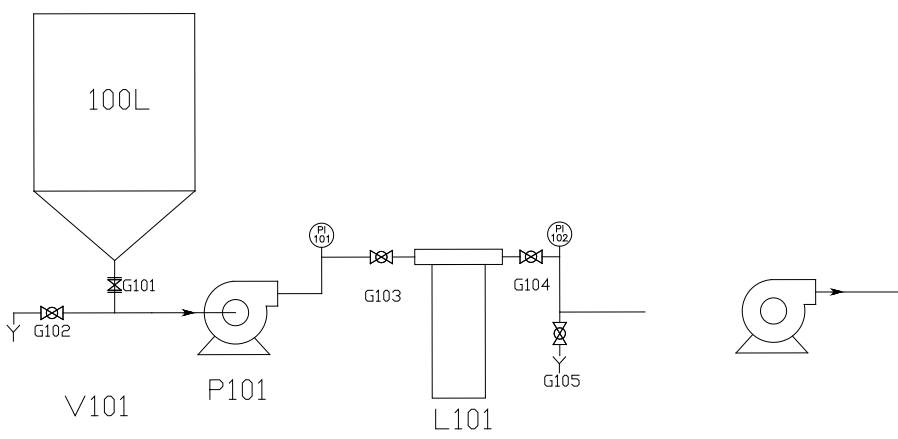
f v Æ >6Û 8 ;"é P #8ç #]F%o 17 - +kB Æ0561-67126688

5† v Æ www.mofenli.net

V-U Æ

0551-63667960

.....	2.....
.....	2.....
.....	3.....
.....	4.....
.....	4.....
.....	6.....
.....	6.....



? =#w0AB* D

=Aô =(¬&i

Ê • Aô = ø !

	WTM-4040JHP-1
	4040
	7.5
	1
	12.0Mpa
	5—45
PH	1--11
	15L
	250L/H
	50—100L/h
	50—500L
	5.5KW@380V
	1.6m* 1m* 2m

£ = 315 4ú F

1						
2						
3						
4						
5						
6						
7						
8						
9						
10						
11						
12						
13						
14						
15						
16						
17						
18						
19						
20						

9 •315 Ū -

30

3

17%

i =Aô = 4{}

